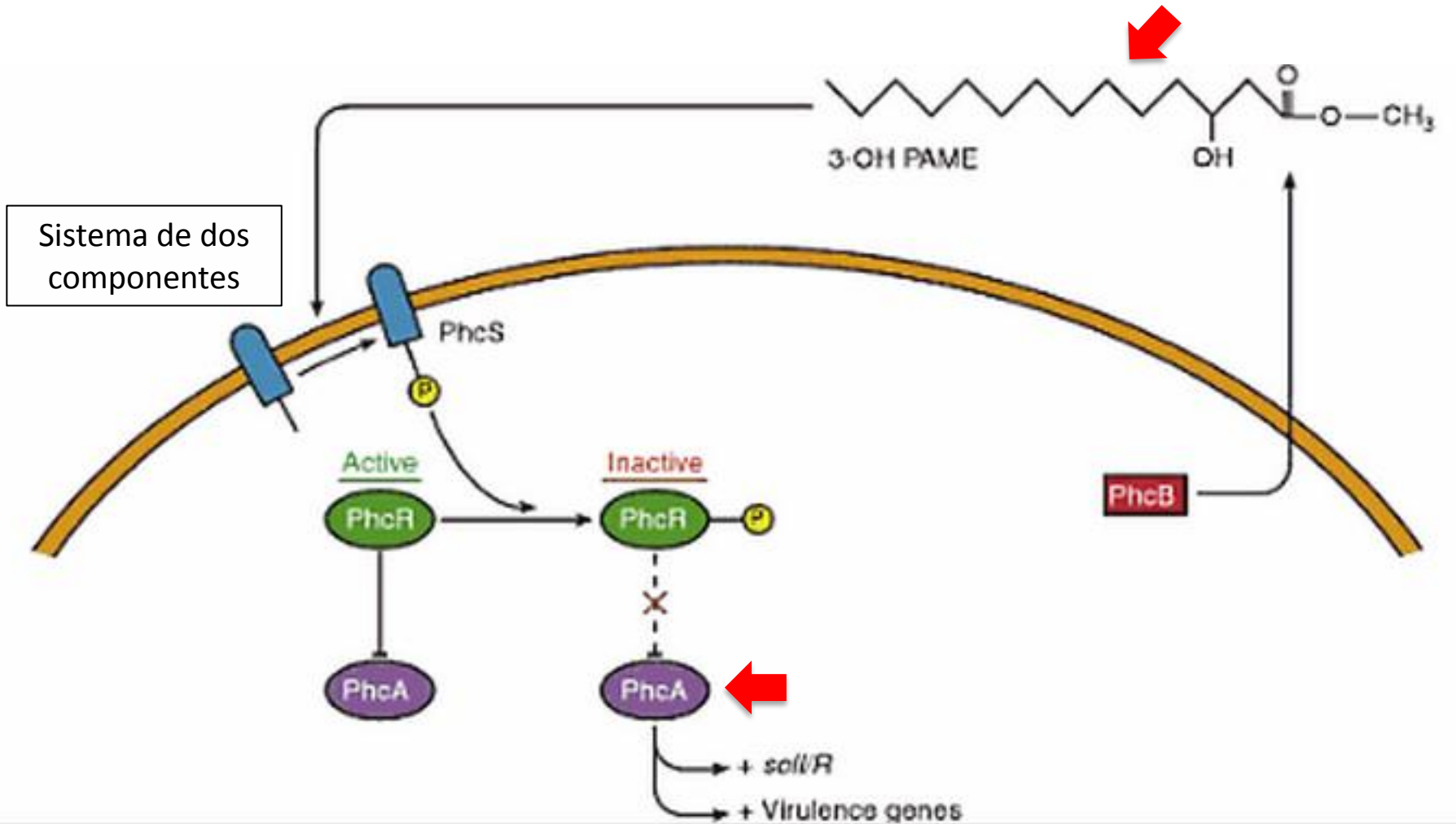


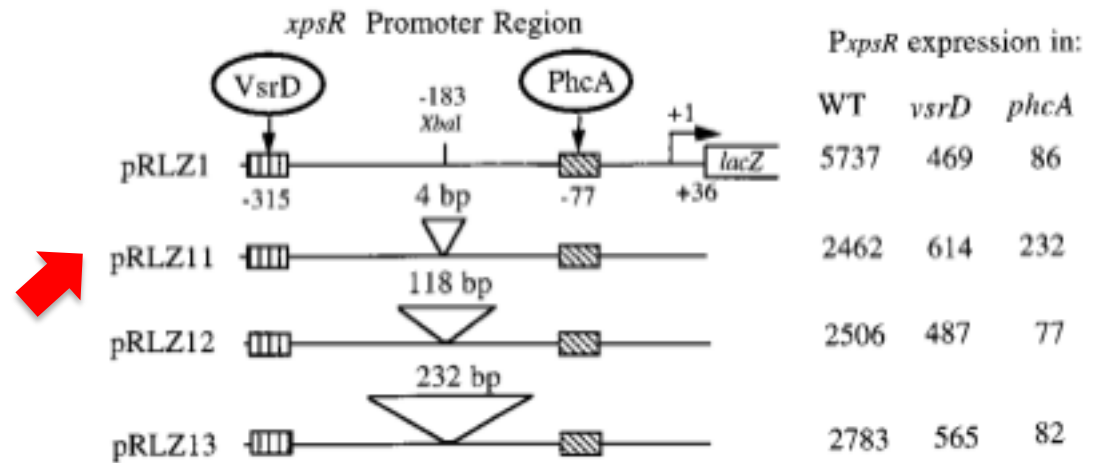
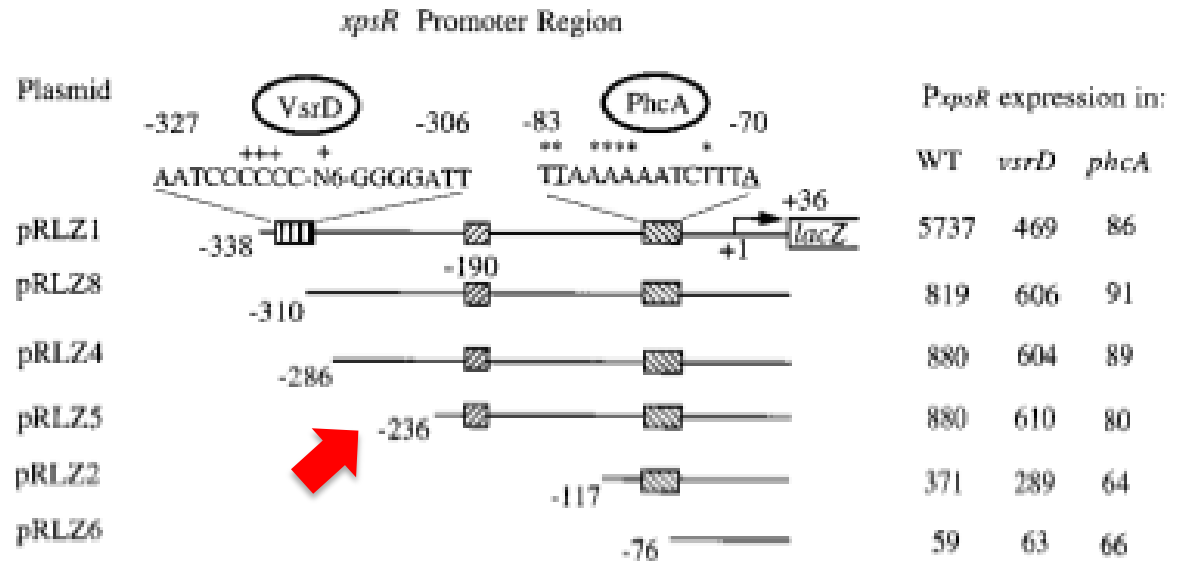
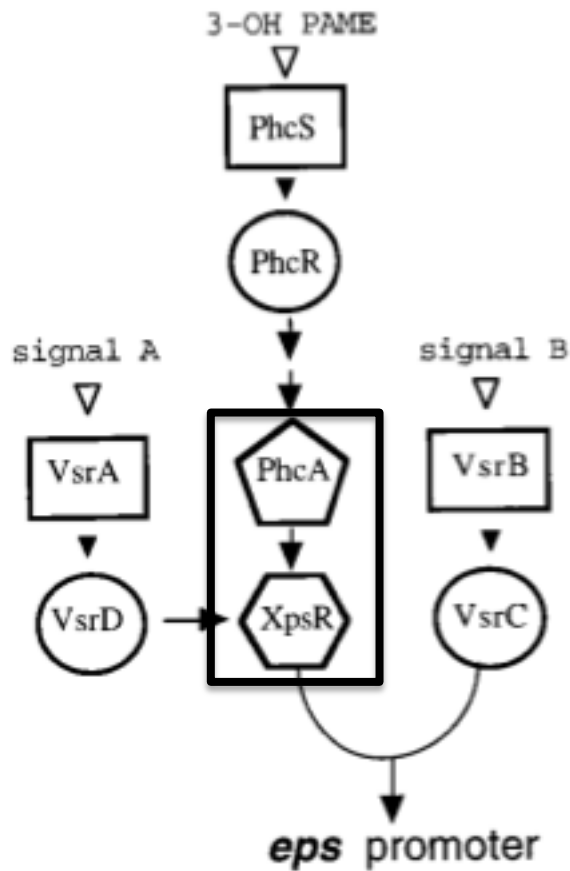
# Detección de bacterias fitopatógenas

iGEM 2012

# *Ralstonia solanacearum*



# *phcA*



**i** Your search is limited to records matching entrez query: [txid136843 \[ORGN\]](#).

[Edit and Resubmit](#) [Save Search Strategies](#) [▶ Formatting options](#) [▶ Download](#)

## phcS

**Query ID** |cl|54837  
**Description** None  
**Molecule type** nucleic acid  
**Query Length** 1329

**i** No significant similarity found. For reasons why, [click here](#)

Other reports: [▶ Search Summary](#) [[Taxonomy reports](#)]

**i** Your search is limited to records matching entrez query: [txid136843 \[ORGN\]](#).

[Edit and Resubmit](#) [Save Search Strategies](#) [▶ Formatting options](#) [▶ Download](#)

## phcR

**Query ID** |cl|5923  
**Description** None  
**Molecule type** nucleic acid  
**Query Length** 1299

**i** No significant similarity found. For reasons why, [click here](#)

Other reports: [▶ Search Summary](#) [[Taxonomy reports](#)]

**i** Your search is limited to records matching entrez query:

[Edit and Resubmit](#) [Save Search Strategies](#) [▶ Formatting op](#)

## phcA

**Query ID** |cl|49615  
**Description** None  
**Molecule type** nucleic acid  
**Query Length** 1044

**i** No significant similarity found. For reasons why, [click here](#)

Other reports: [▶ Search Summary](#) [[Taxonomy reports](#)]